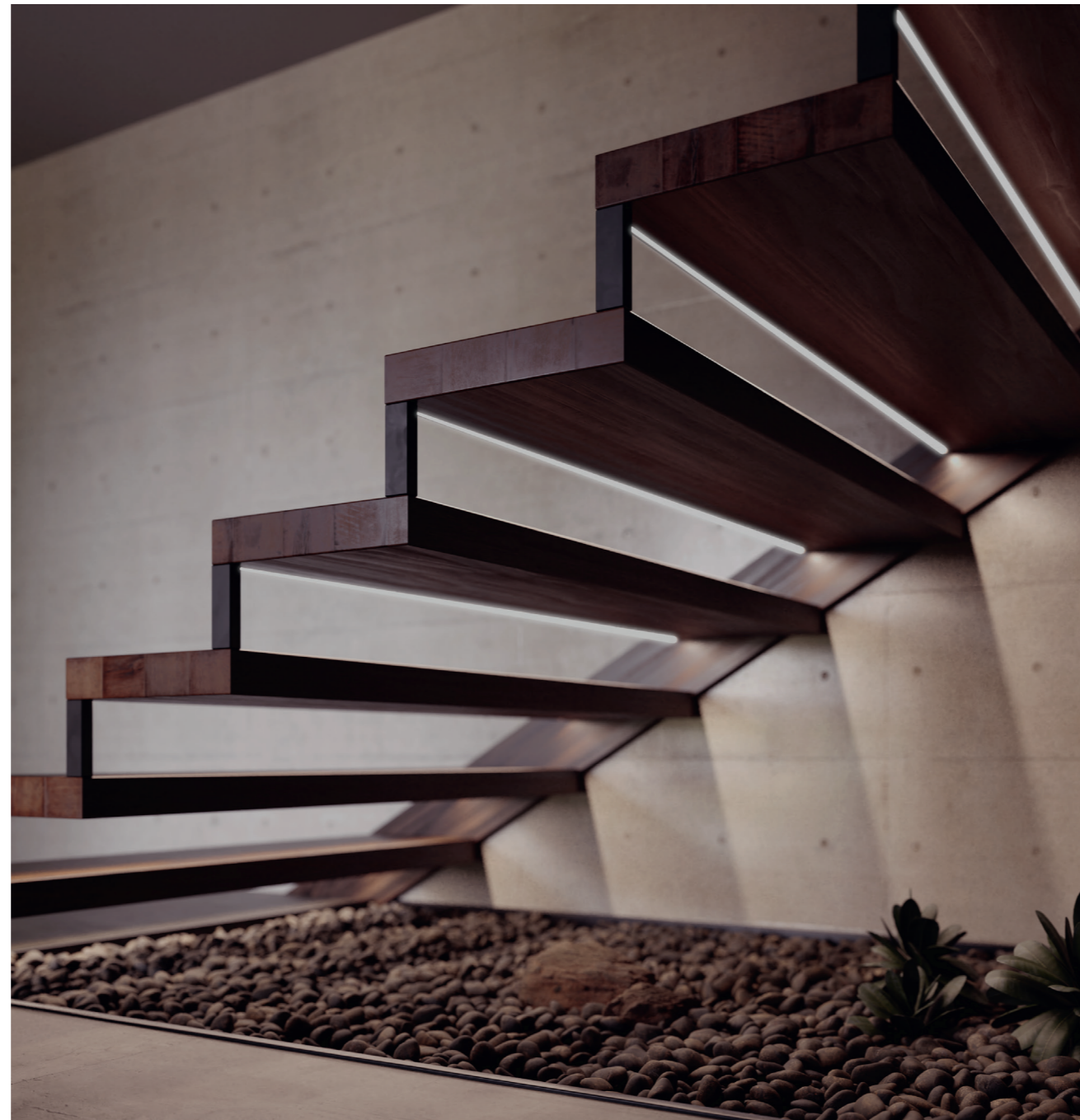
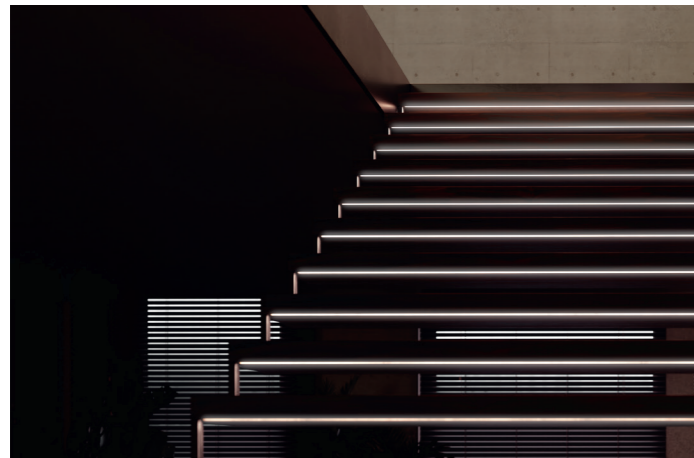


STAIR LIGHTING

step by step

light





Scan the QR code and find Halemeier specialist dealers in the area.

Individual lighting solutions High quality lighting technology for staircase construction

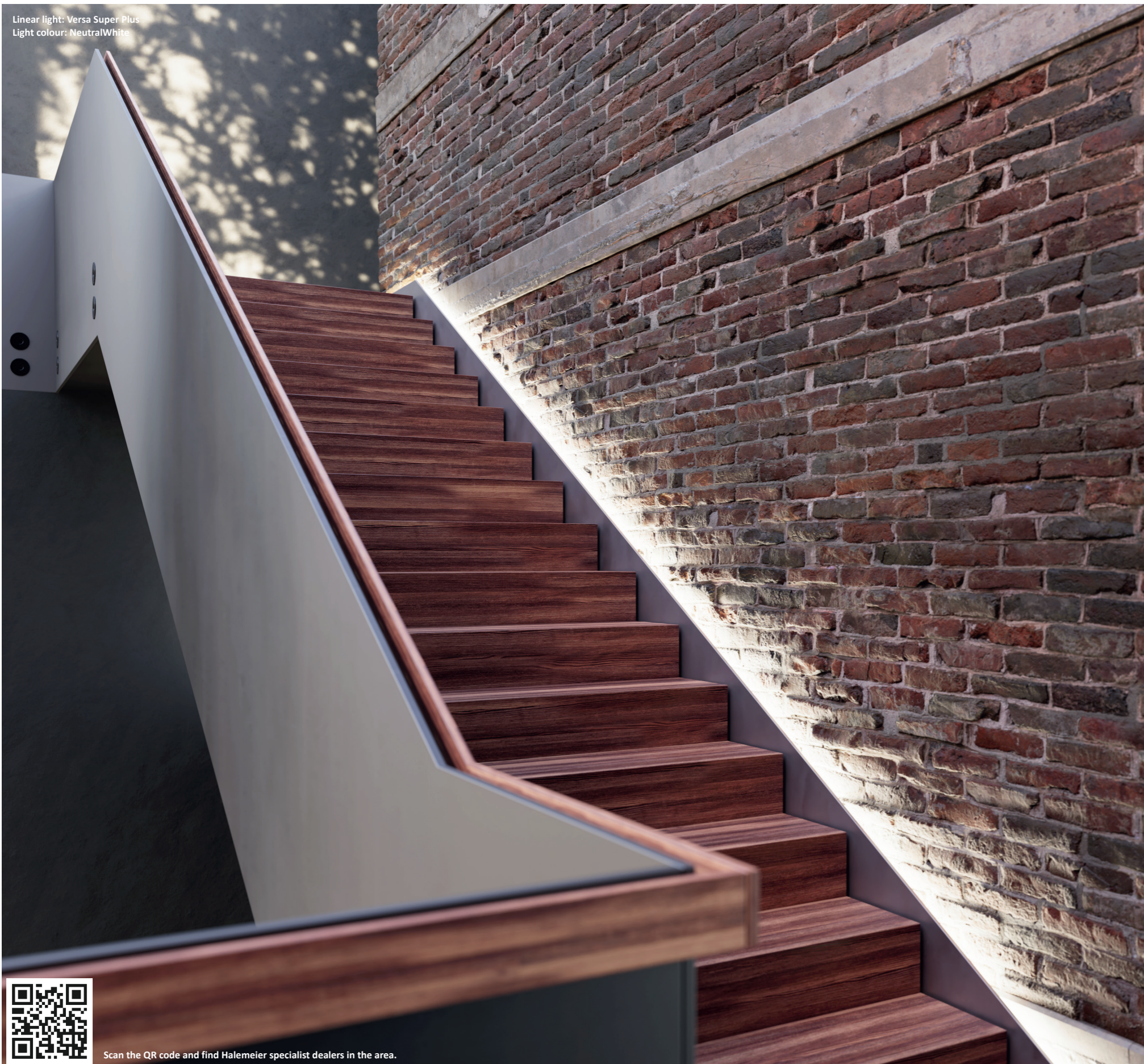
Halemeier GmbH is the right partner for integrated lighting systems. But our range of services is much wider than this. Many of our customers use our development skills to realise their own light visions. All products from the **magic** range are available from specialist dealers.

Easy to install, impressive in terms of quality and safe to operate – with lighting technology from Halemeier, carpenters can also set the scene for any type of staircase, either directly or indirectly. The components of the Halemeier range are technically matched and show the processor the way to a new design dimension.

Craftsmen in furniture and interior design rely on Halemeier for tested German quality. We develop and design our products - from LED lights to lighting technology to electronics - at our company headquarters in Melle-Neuenkirchen, Lower Saxony.

Order our **magic** light catalog (see page 11), which contains an extensive range that was specially developed for furniture construction.





Contrast program Structures in focus

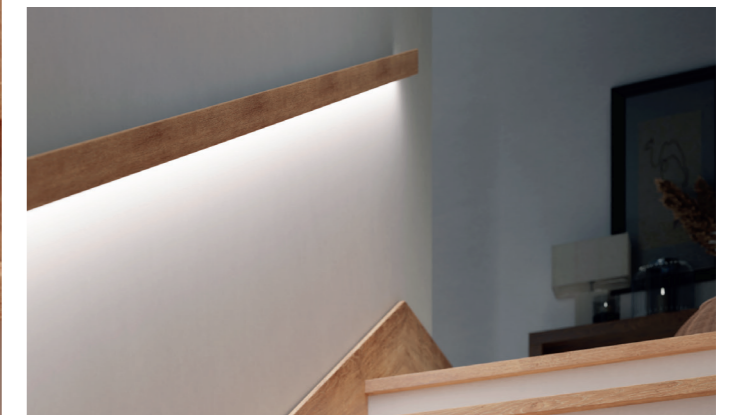
Urban quarters with characterful buildings offer outstanding projection surfaces for Halemeier's staircase lights. Integrated into the stringer of the staircase, the linear lighting in this example plays with the contrast between the flowing wood and the rustic clinker brick surface.

Lighting solutions from Halemeier enrich every room with an individual color temperature and a wide range of integration variants - whether industrial loft, administration building or gallery.

Lineare Leuchte: Versa Stair
 Profil: ChannelLine B
 Lichtfarbe: Warmweiß



Scan the QR code and find Halemeier specialist dealers in the area.



Feel-good factor light Warm tones for more harmony

Staircase lighting from Halemeier hits the right note in every room. The Versa Stair in warm white spreads a homely country house atmosphere.

Other scenarios, such as the indirect illumination of windowless rooms, give stair builders additional sales opportunities with manageable effort. Because Halemeier lighting solutions are integrated neatly and structured into all stair elements, from the step to the stringer to the handrail.

Linear light: Versa Stair
 Profile: Channelline D2
 Light colour: NeutralWhite



Scan the QR code and find Halemeier specialist dealers in the area.

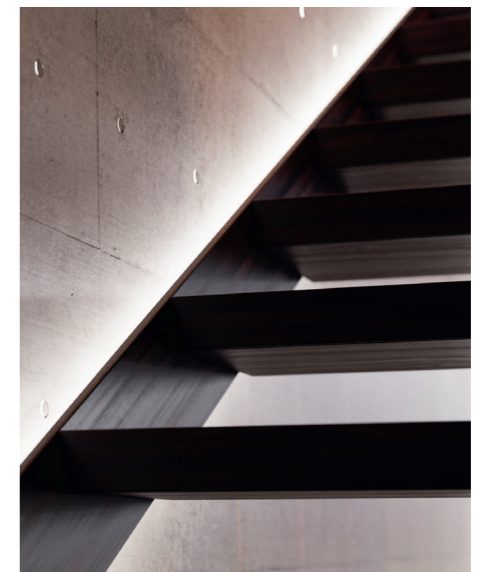
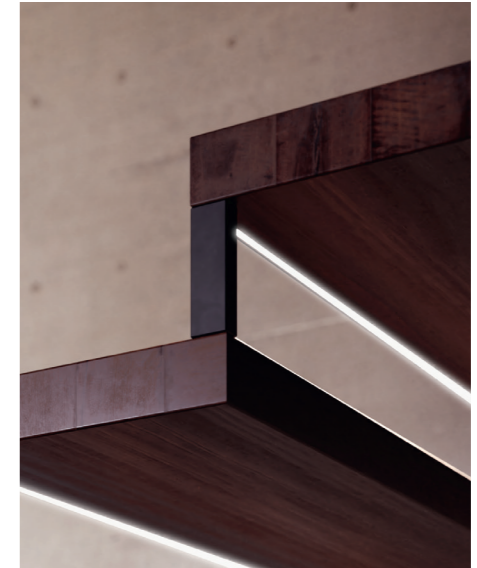
Luminous perspectives

Step by step clear lines

The modular system of the filigree Channelline profiles underscores the floating character of these individually cut stairs in a highly modern ambience.

In neutral white, the discrete, linear light elements provide orientation and depth in all room dimensions.

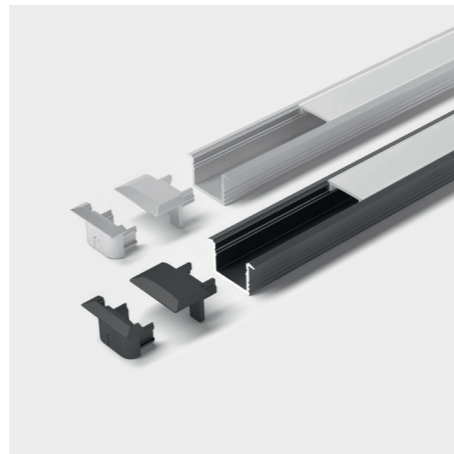
The power supply is secured by compact Halemeier components inside the cheek. Their ease of integration opens up completely new design possibilities for the fabricator.



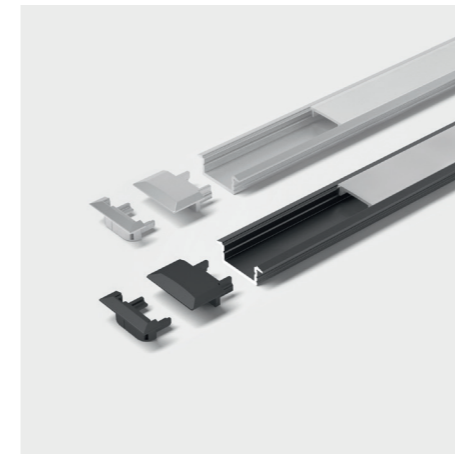


Versa Stair

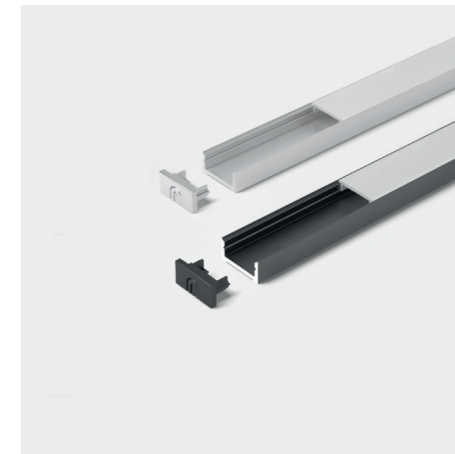
This LED strip requires one of the following ChannelLine profiles B, C, D or D2



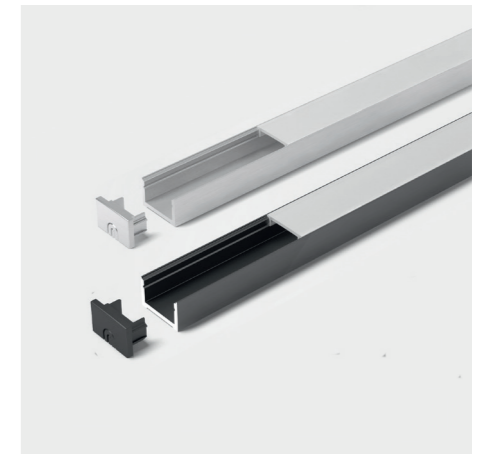
ChannelLine B
Page 16



ChannelLine C
Page 17



ChannelLine D
Page 18



ChannelLine D2
Page 19

Versa Stair
Page 14

12 V

Versa Super Plus Mini and Versa Super Plus

LED band and flexible profile combined in one product



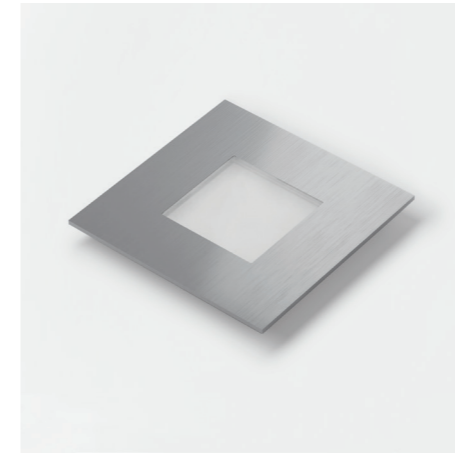
Versa Super Plus Mini
Page 20

12 V



Versa Super Plus
Page 22

12 V



QuadroPoint square
Page 26

12 V



Panellite square
Page 28

12 V



Side Spot
Page 29

12 V



X-Mitter wireless switch
Page 32



230 V

12 V



Wall switch Smart
Page 34



12 V



Dimming module 1-10 V / DALI
Page 35

12 V



Electronic ballasts 12 V
Page 36

12 V



Leads 12 V
Page 37

12 V



More lights and accessories in the magic light catalogue!

magic light catalogue
Order no. 17 451 90



Structured light installation

Easy to connect the components

Halemeier developed a lighting system especially for stair construction that is ready to plug in and easy to connect thanks to Plug & Play.

The Versa Stair light strip can be installed flexibly and invisibly in a stringer staircase with the Stair Stringer. Although each step is illuminated, the power consumption is low and only one ballast needs to be installed for up to 15 steps..

Feeder cables and 2-way distributors are available for wiring closed stairs with the LED mini connector system M1.

Smart.home

Simply switch smart

Our Smart receivers enable simple and intelligent lighting control. They work independently with the Halemeier remote control via Touch-Link or optionally in the Smart Home via Zigbee 3.0 in combination with many other devices from well-known manufacturers in the Zigbee Alliance.

The smart receivers not only receive signals, but also synchronise them wirelessly with each other (mesh). This allows you to set up large lighting systems with several lighting circuits or receivers.

Each smart receiver increases the range and stability of the overall system.



Versa Stair

Advantages

- ▶ Easy installation; high possibility of pre-assembly, just plug together on site
- ▶ Slim wire harness can be invisibly built into the cheek
- ▶ 15 steps, each 1.20 m long, require only one ballast

Features

- ▶ Can be cut, self-adhesive
- ▶ Low power consumption
- ▶ Uniform illumination (120 LED/m)

Examples of use

- ▶ Especially developed for stair lighting

Order information

- ▶ Accessories for stringer staircases and closed staircases can be selected
- ▶ Stair Stringer serves as the basic connecting line between the ballast and the light sources

Technical details



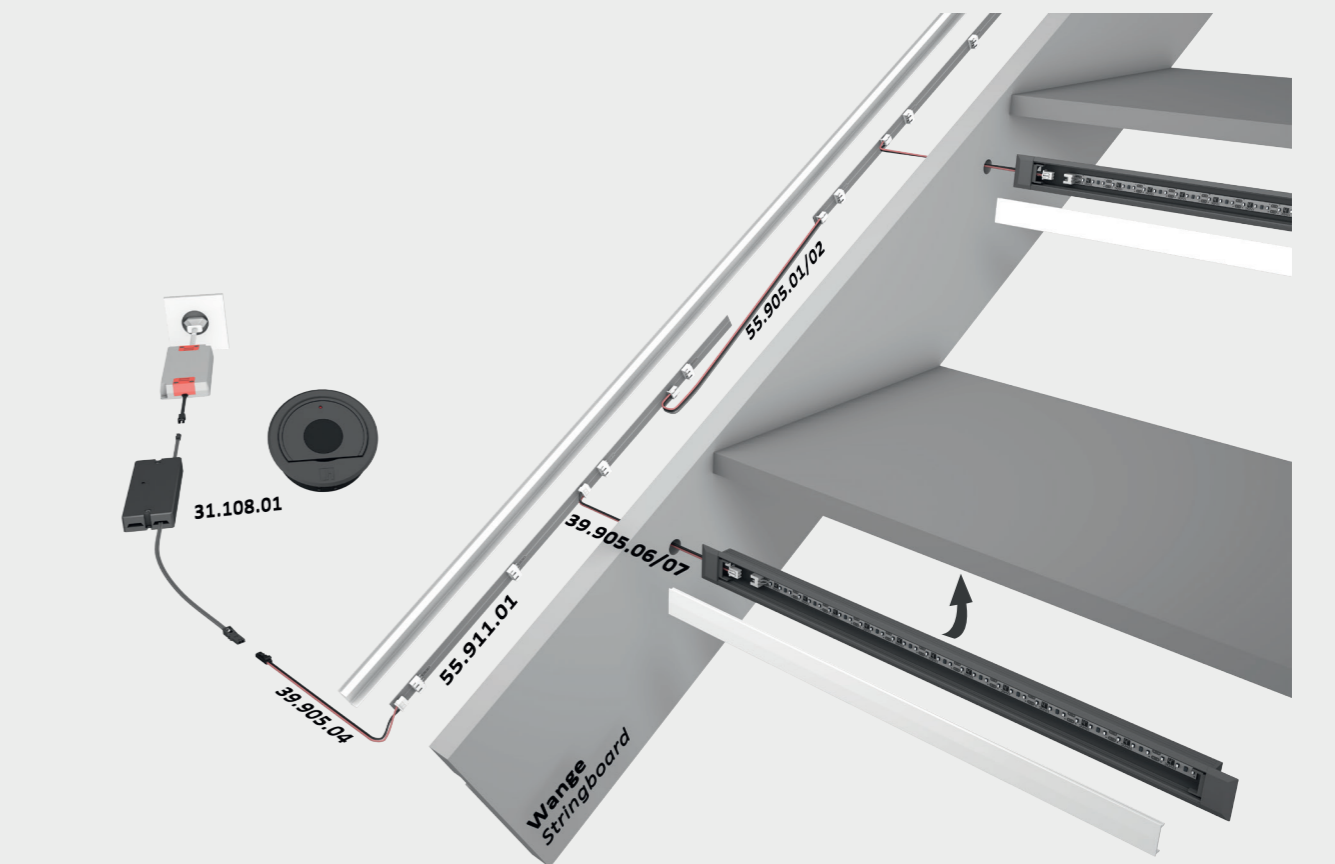
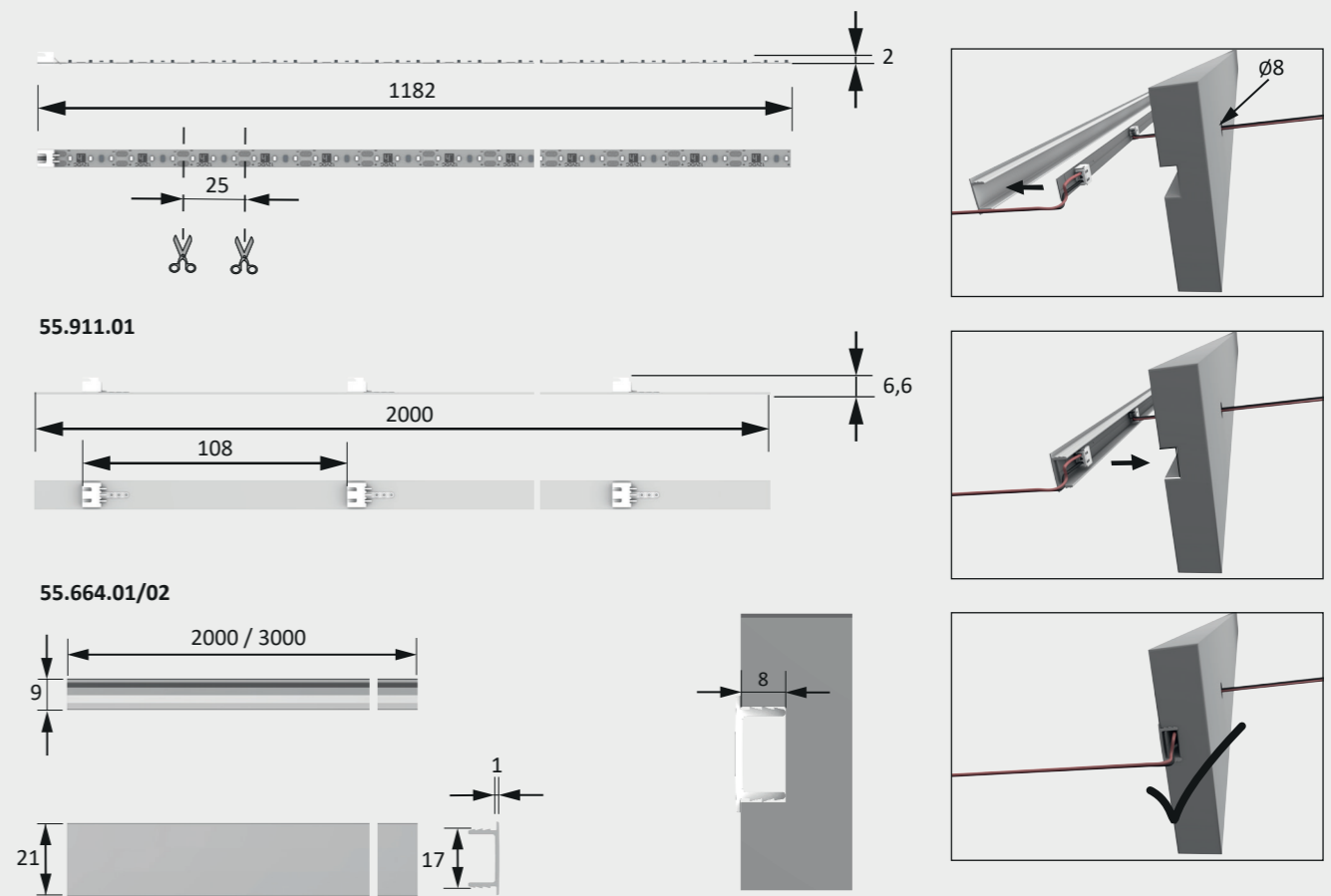
Luminaire type:	Accent/ orientation lighting
Operating voltage:	12 V DC
Light colour:	XtraWarmWhite/ WarmWhite/ NeutralWhite
Colour rendering:	> 90
Energy efficiency:	F
	100 lm/W
Life span:	50.000 h
Power consumption:	1.7 W/m
Dimmable:	Yes/PWM/Smart.home
Number of LEDs:	120/m
Beam angle:	120°
Half value angle:	70°
Test mark and symbols:	CE RoHS WEEE
Protection rating:	IP 20
Supply lead:	1800 mm
Plug connector:	JST mini connector
Connection to:	LED ballast



Zigbee controller for controlling lights

- Uses the Zigbee 3.0 protocol
- Supports Zigbee TouchLink
- Adding devices to the self-configuring Zigbee Touchlink network possible
- Compatible with Zigbee Gateway universal products
- Compatible with Zigbee universal remote controls

Dimensional drawing / installation



Versa Stair

	XtraWarmWhite	WarmWhite	NeutralWhite
1200 mm (max. 2W)	55 912 41	55 912 11	55 912 01

Accessories in general

Ballast 12 Volt DC, 30 W with flat Euro plug	31 002 07
M1 Extension lead 1800 mm	36 768 01
X-Mitter Smart Set 12 Volt DC	31 108 01

Accessories for stringer stairs

Connection cable power supply 100 mm	39 905 01
Connection cable power supply 300 mm	39 905 02
ballast feeder 1800 mm	39 905 04
Connection cable luminaire 100 mm	39 905 06
Connection cable luminaire 300 mm	39 905 07
Stair Stringer for Versa 2000mm	55 911 01
Carrier Plate (Channelline F) 2000 mm	55 664 01

Accessories for closed staircases

Connection cable luminaire / ballast	39 905 08
M1 Staircase distributor 2-way 450 mm	39 903 02

* Further accessoires in this catalogue from page 30



ChannelLine B

Advantages

- ▶ Natural color rendering
- ▶ Uniform, homogeneous light line
- ▶ Wide beam angle of approx. 100°

Features

- ▶ High quality deep recessed aluminium profile with opal cover
- ▶ with filigree profile trim

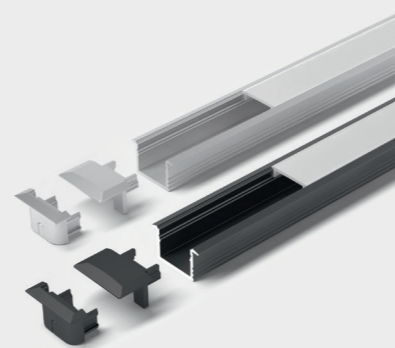
Examples of use

- ▶ Made-to-measure stair lighting
- ▶ Made-to-measure luminaire

Order information

- ▶ Application picture shows ChannelLine B with Versa Stair

Technical details



Recommended for:

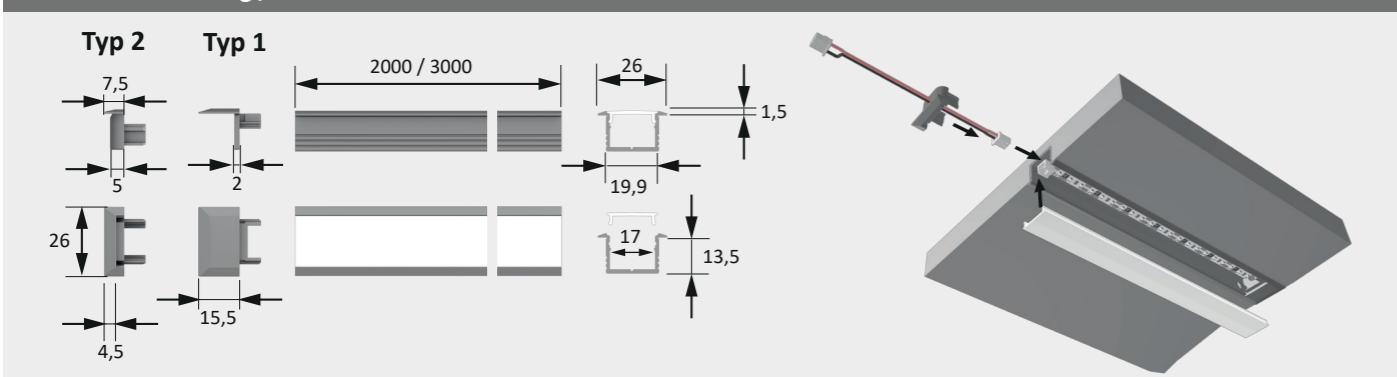
- Versa Inside 120*
- Versa Inside 160*
- Versa Stair

*See magic light catalogue

ChannelLine B

	Alu / Opal	Black / Opal
2000 mm	55 871 01	55 871 05
2000 mm (10er Set)	55 871 11	55 871 15
3000 mm	55 871 02	55 871 06
3000 mm (10er Set)	55 871 12	55 871 16
End cap (set of 2) lacquered	25 568 01	25 568 05
End cap type 2 (set of 2) lacquered	25 785 01	25 785 05
Sample piece profile 300 mm	50 001 01	50 002 01
Sample piece cover 300 mm	50 009 01	50 009 01
Cleaning cloth (isopropanol)	36 502 01	36 502 01

Dimensional drawing / installation



ChannelLine C

Advantages

- ▶ Natural color rendering
- ▶ Uniform, homogeneous light line with Versa Inside 160
- ▶ Wide beam angle of approx. 110°

Features

- ▶ High quality flat recessed aluminium profile with opal cover
- ▶ with filigree profile trim

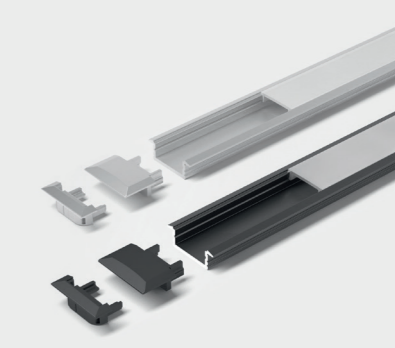
Examples of use

- ▶ Made-to-measure stair lighting
- ▶ Made-to-measure luminaire

Order information

- ▶ Application picture shows ChannelLine C with Versa Stair
- ▶ Visible light points possible due to flat profile depth

Technical details



Recommended for:

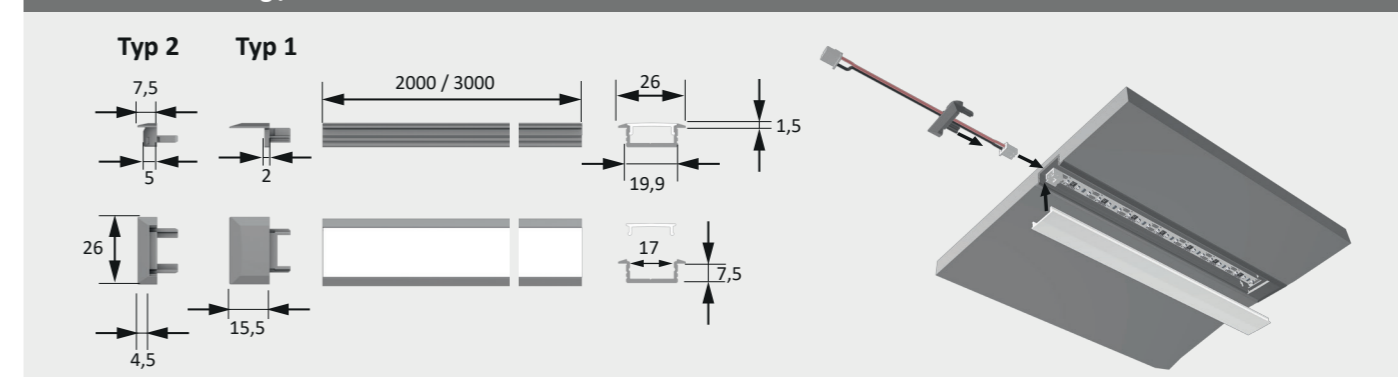
- Versa Inside 120*
- Versa Inside 160*
- Versa Stair

*See magic light catalogue

ChannelLine C

	Alu / Opal	Black / Opal
2000 mm	55 872 01	55 872 05
2000 mm (10er Set)	55 872 11	55 872 15
3000 mm	55 872 02	55 872 06
3000 mm (10er Set)	55 872 12	55 872 16
End cap (set of 2) lacquered	25 569 01	25 569 05
End cap type 2 (set of 2) lacquered	25 786 01	25 786 05
Sample piece profile 300 mm	50 003 01	50 004 01
Sample piece cover 300 mm	50 009 01	50 009 01
Cleaning cloth (isopropanol)	36 502 01	36 502 01

Dimensional drawing / installation





Channelline D

Advantages

- ▶ Natural color rendering
- ▶ Uniform, homogeneous light line with Versa Inside 160
- ▶ Wide beam angle of approx. 110°

Features

- ▶ High-quality flat recessed/surface-mounted aluminium profile with opal cover
- ▶ for flush mounting

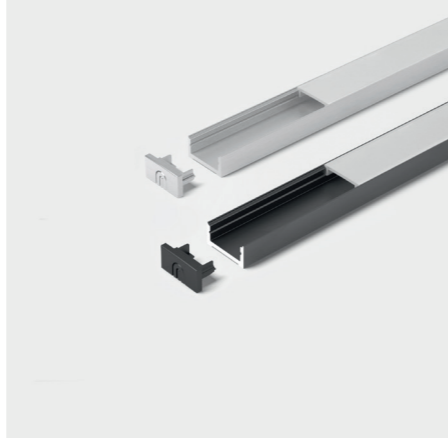
Examples of use

- ▶ Made-to-measure stair lighting
- ▶ Made-to-measure luminaire

Order information

- ▶ Application picture shows Channelline D with Versa Stair
- ▶ Visible light points possible due to flat profile depth

Technical details



Recommended for:

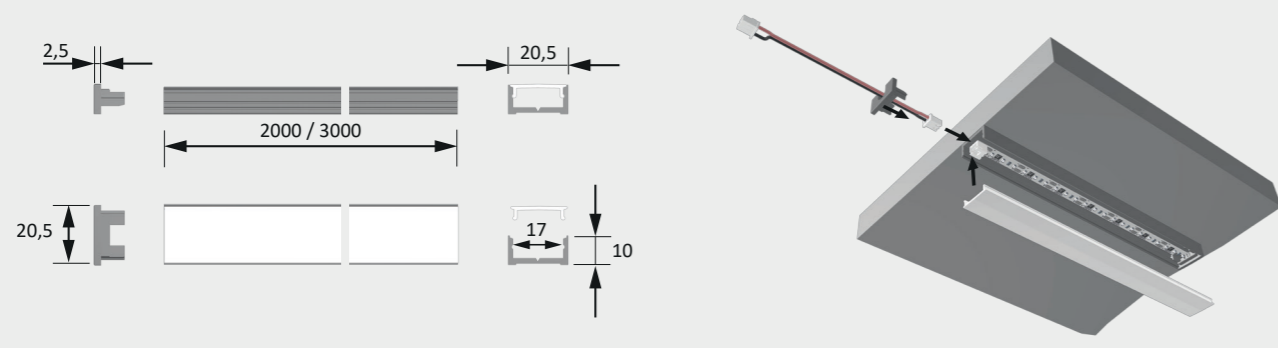
Versa Inside 120*
Versa Inside 160*
Versa Stair

*See magic light catalogue

Channelline D

	Alu / Opal	Black / Opal
2000 mm	55 873 01	55 873 05
2000 mm (10er Set)	55 873 11	55 873 15
3000 mm	55 873 02	55 873 06
3000 mm (10er Set)	55 873 12	55 873 16
End cap (set of 2) lacquered	25 570 01	25 570 05
Sample piece profile 300 mm	50 005 01	50 006 01
Sample piece cover 300 mm	50 009 01	50 009 01
Cleaning cloth (isopropanol)	36 502 01	36 502 01

Dimensional drawing / installation



Channelline D2

Advantages

- ▶ Natural color rendering
- ▶ Uniform, homogeneous light line
- ▶ Wide beam angle of approx. 75°

Features

- ▶ High-quality deep recessed/surface-mounted aluminium profile with opal cover
- ▶ for flush mounting

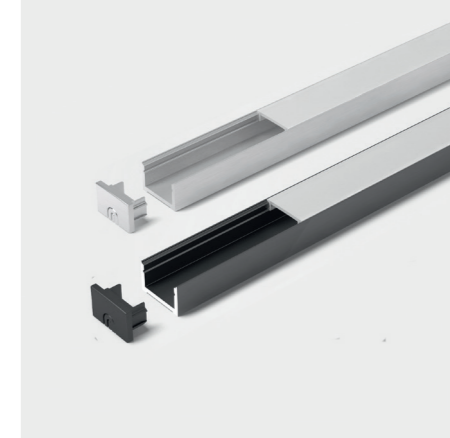
Examples of use

- ▶ Made-to-measure stair lighting
- ▶ Made-to-measure luminaire

Order information

- ▶ Application picture shows Channelline D2 with Versa Stair

Technical details



Recommended for:

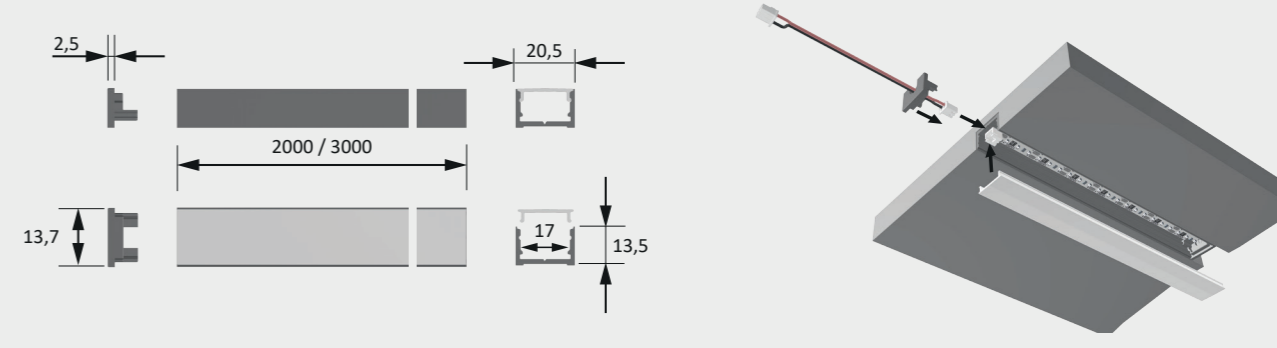
Versa Inside 120*
Versa Inside 160*
Versa Stair

*See magic light catalogue

Channelline D2

	Alu / Opal	Black / Opal
2000 mm	55 870 01	55 870 21
2000 mm (10er Set)	55 870 05	55 870 25
3000 mm	55 870 02	55 870 22
3000 mm (10er Set)	55 870 06	55 870 26
End cap (set of 2) lacquered	25 774 01	25 774 05
Sample piece profile 300 mm	50 007 01	50 008 01
Sample piece cover 300 mm	50 009 01	50 009 01
Cleaning cloth (isopropanol)	36 502 01	36 502 01

Dimensional drawing / installation





Versa Super Plus Mini

Advantages

- ▶ Coated surface protects the LED
- ▶ Supply lead on both sides (one cut, two lights), see drawing
- ▶ Luminaire combines LED strip with flexible profile
- ▶ Flush mounting possible

Features

- ▶ Can be individually cut to size
- ▶ Lateral bending direction (see drawing)
- ▶ Evenly illuminated area
- ▶ Particularly narrow

Examples of use

- ▶ Hand and cheek rails
- ▶ Round or curved flights of stairs
- ▶ Trend design

Order information

- ▶ IP 65 only in the gated area

Versa Super Plus Mini

	WarmWhite	NeutralWhite
1200 mm (max. 7.2 W)	55 864 12	55 864 02
5000 mm (max. 30 W)	55 864 13	55 864 03
6000 mm (max. 36 W)	55 864 19	55 864 09

Accessories*

LED ballast with Euro flat plug (15 W)	30 996 17
LED ballast with Euro flat plug (30 W)	31 002 07
M1 extension lead 1800 mm	36 768 01
M1 Staircase distributor 2-way 450 mm	39 903 02
X-Mitter Smart Set 12 Volt DC (X-Mitter Smart Remote Control & Smart Receiver)	31 108 01
Extension set 12 Volt DC 30 W, receiver and electronic ballast	31 105 01
Extension set 12 Volt DC 60 W, receiver and electronic ballast	31 106 01

* Further accessories in this catalogue from page 30

Technical details



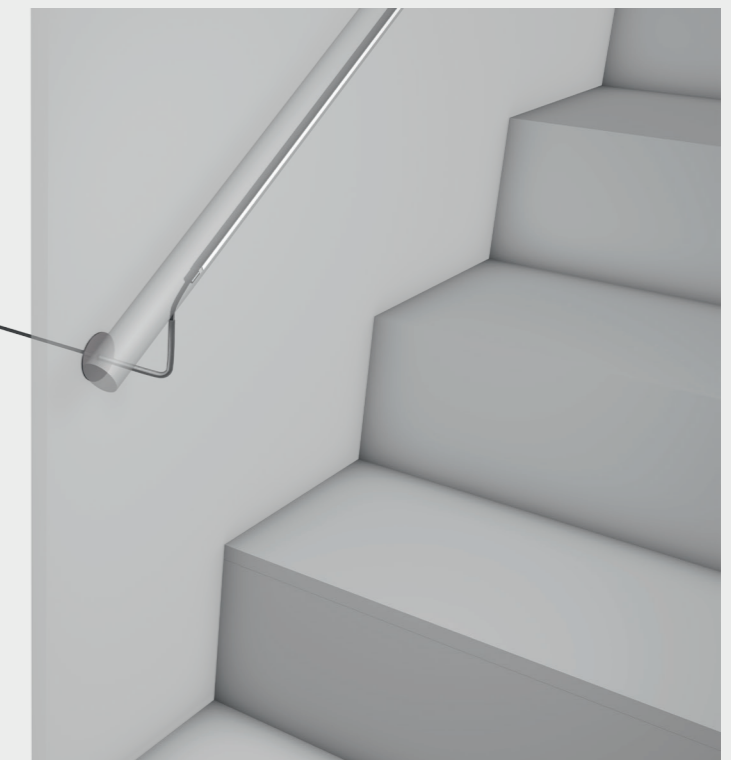
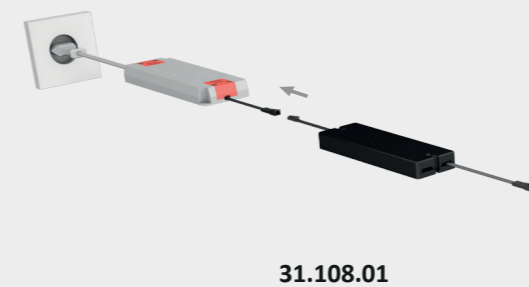
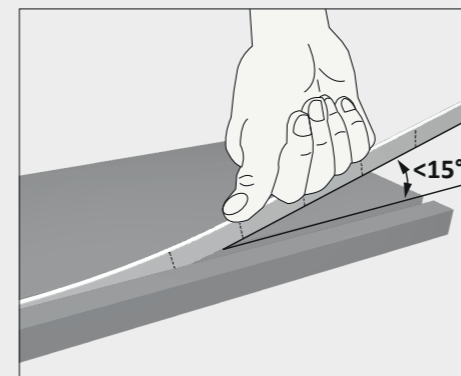
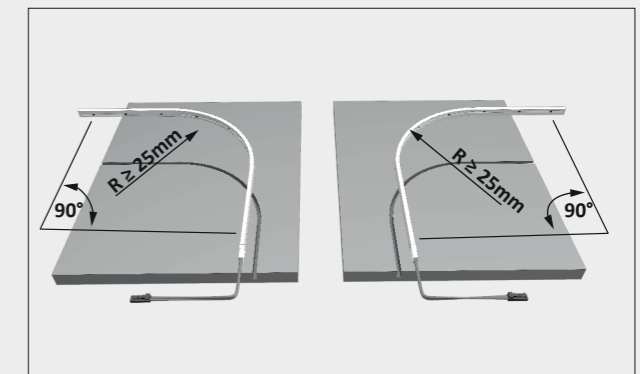
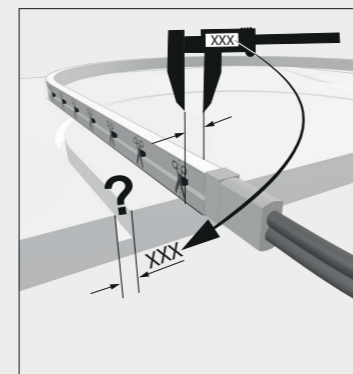
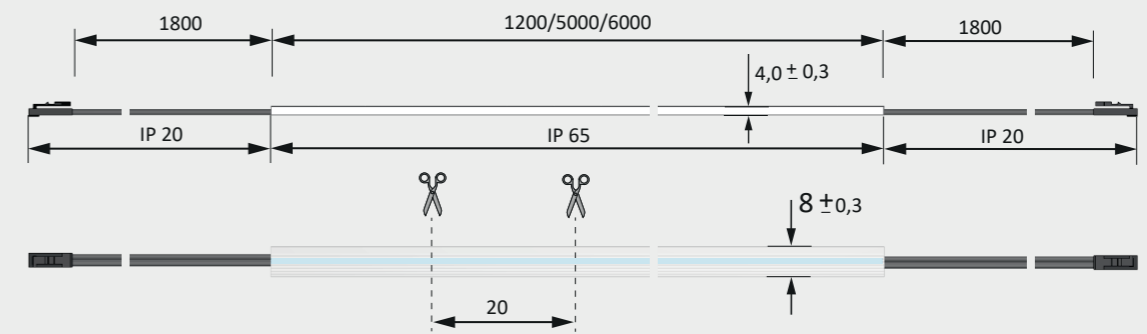
Luminaire type: LED surface-mounted/recessed light
 Type of lighting: Accent lighting
 Operating voltage: 12 V DC
 Light colours: WarmWhite/NeutralWhite
 Colour rendering: RA > 85
 Energy efficiency: This luminaire contains a light source with an energy efficiency class F 25 lm/W
 Life span: 40.000 h (L70)
 Power consumption: 6 W/m
 Max. length at a stretch: 6 m
 Dimmable: Yes/PWM/Smart.home
 Half value angle: 70°
 Test mark and symbols: CE, RoHS, Energy Star
 Protection rating: IP 65
 Supply lead: 2 x 1800 mm
 Plug connector: LED mini
 Connection to: M1 plug connector, LED ballast



Zigbee controller for controlling lights

- Uses the Zigbee 3.0 protocol
- Supports Zigbee TouchLink
- Adding devices to the self-configuring Zigbee Touchlink network possible
- Compatible with Zigbee Gateway universal products
- Compatible with Zigbee universal remote controls

Dimensional drawing / installation





VersaSuperPlus

Advantages

- ▶ Coated surface protects the LED
- ▶ Supply lead on both sides (one cut, two lights), see drawing
- ▶ Luminaire combines LED strip with flexible profile

Features

- ▶ Can be individually cut to size
- ▶ Lateral bending direction (see drawing)
- ▶ Evenly illuminated area

Examples of use

- ▶ Hand and cheek rails
- ▶ Round or curved flights of stairs
- ▶ Trend design

Order information

- ▶ IP 65 only in the gated area

VersaSuperPlus

	WarmWhite	NeutralWhite
2500 mm (max. 18 W)	56 025 12	56 025 02
5000 mm (max. 36 W)	56 025 11	56 025 01

Accessories*

LED ballast with Euro flat plug (30 W)	31 002 07
LED ballast with Euro flat plug (60 W)	31 025 01
M1 extension lead 1800 mm	36 768 01
M1 Staircase distributor 2-way 450 mm	39 903 02
M1 3-way distributor 180 mm	36 852 01
X-Mitter Smart Set 12 Volt DC (X-Mitter Smart Remote Control & Smart Receiver)	31 108 01
X-Mitter Smart Remote Control with drilling ring	31 107 01
Smart Receiver 12Volt DC	31 100 01
Extension set 12 Volt DC 30 W, receiver and electronic ballast	31 105 01
Extension set 12 Volt DC 60 W, receiver and electronic ballast	31 106 01

* Further accessoires in this catalogue from page 30

Technical details



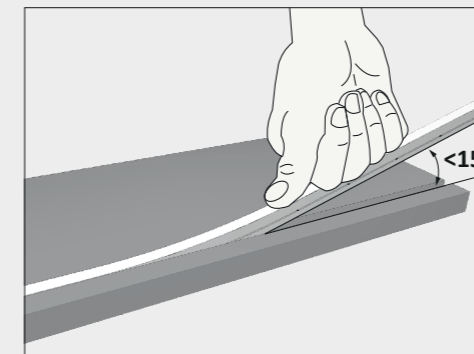
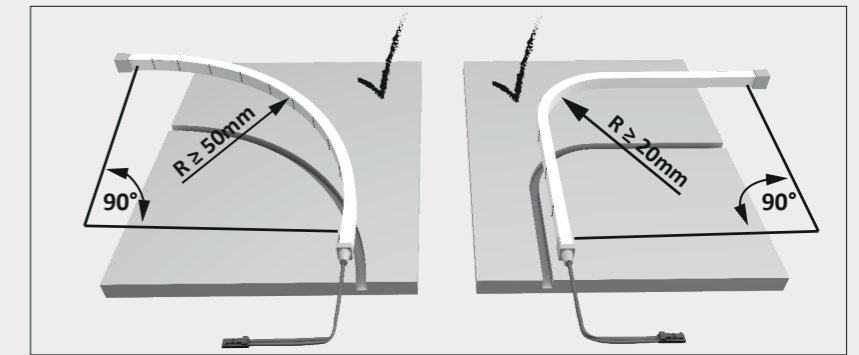
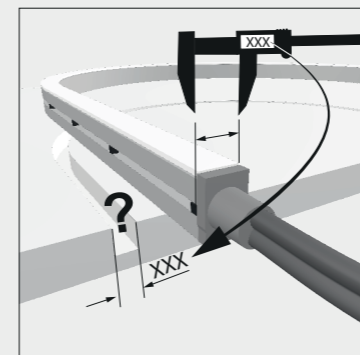
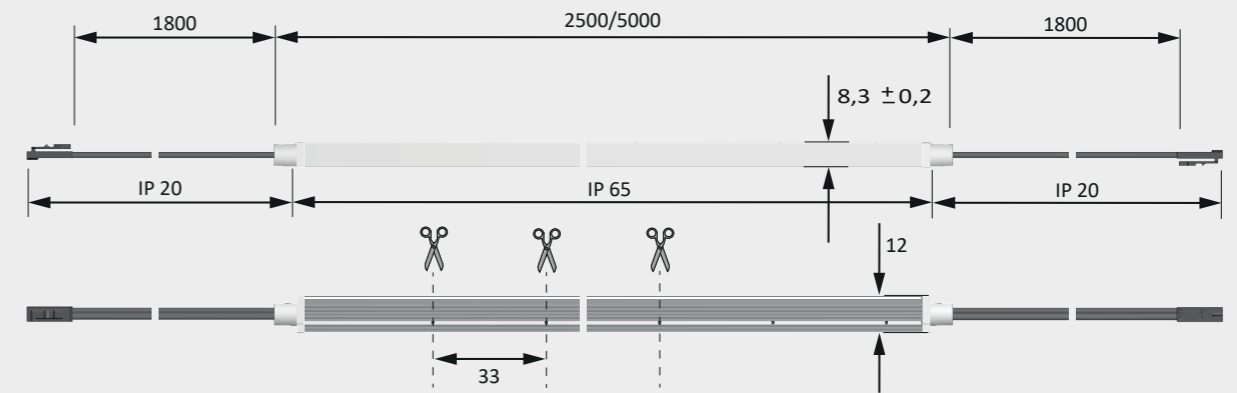
Luminaire type: Surface-mounted light
 Type of lighting: Accent lighting
 Operating voltage: 12 V DC
 Light colours: WarmWhite/ NeutralWhite
 Colour rendering: RA > 85
 Energy efficiency: This luminaire contains a light source with an energy efficiency class F 53 lm/W
 Life span: 40.000 h (L70)
 Power consumption: 7.2 W/m
 Max. length at a stretch: 5 m
 Dimmable: Yes/PWM/Smart.home
 Half value angle: 70°
 Test mark and symbols: CE, RoHS, Energy Star
 Protection rating: IP 65
 Supply lead: 2 x 1800 mm
 Plug connector: LED mini M1 plug connector
 Connection to: LED ballast



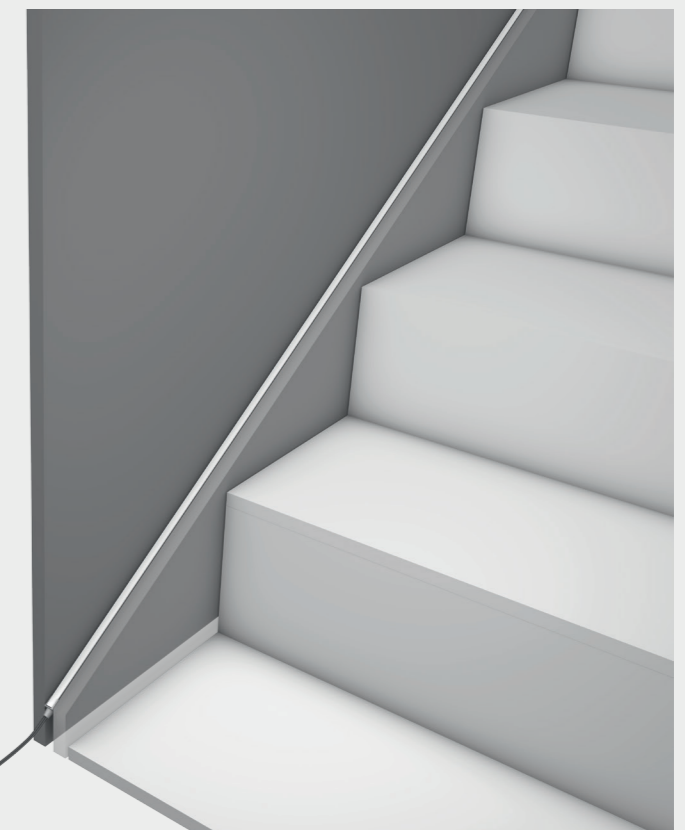
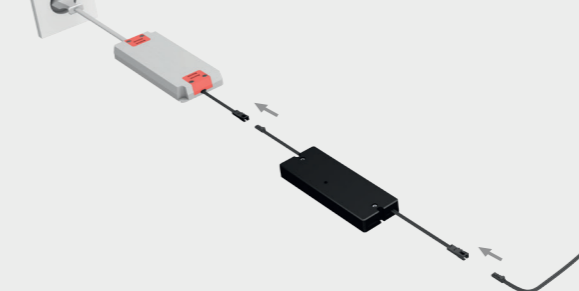
Zigbee controller for controlling lights

- Uses the Zigbee 3.0 protocol
- Supports Zigbee TouchLink
- Adding devices to the self-configuring Zigbee Touchlink network possible
- Compatible with Zigbee Gateway universal products
- Compatible with Zigbee universal remote controls

Dimensional drawing / installation



31.108.01





Clear focus

Brought light to the point

LED spotlights offer price-sensitive processors a convincingly simple entry into the world of Halemeier staircase lights.

Wall structure, light temperature and free positioning in the vicinity of the stairs define the space-defining lighting effect of the spotlights and, in comparison to linear lamps, achieve their own attractive lighting effects.



QuadroPoint square

Advantages

- ▶ Particularly small mounting depth
- ▶ Filigree design

Features

- ▶ Brushed stainless steel cover
- ▶ Can be mounted in switch boxes
- ▶ Plug-in connection on housing

Examples of use

- ▶ Stairs
- ▶ Floors
- ▶ Kitchen plinths

QuadroPoint square

	NeutralWhite
Stainless steel look	38 970 01
Accessories*	
LED ballast 6 W with flat Euro plug	30 226 02
M1 extension lead 1800 mm	36 768 01
M1 Staircase distributor 2-way 450 mm	39 903 02
M1 3-way distributor 180 mm	36 852 01
M1 6-way distributor 2000 mm	36 125 01
X-Mitter Smart Set 12 Volt DC (X-Mitter Smart Remote Control & Smart Receiver)	31 108 01
X-Mitter Smart Remote Control with drilling ring	31 107 01
Smart Receiver 12Volt DC	31 100 01
Extension set 12 Volt DC 30 W, receiver and electronic ballast	31 105 01
Extension set 12 Volt DC 60 W, receiver and electronic ballast	31 106 01

* Further accessories in this catalogue from page 30

Technical details



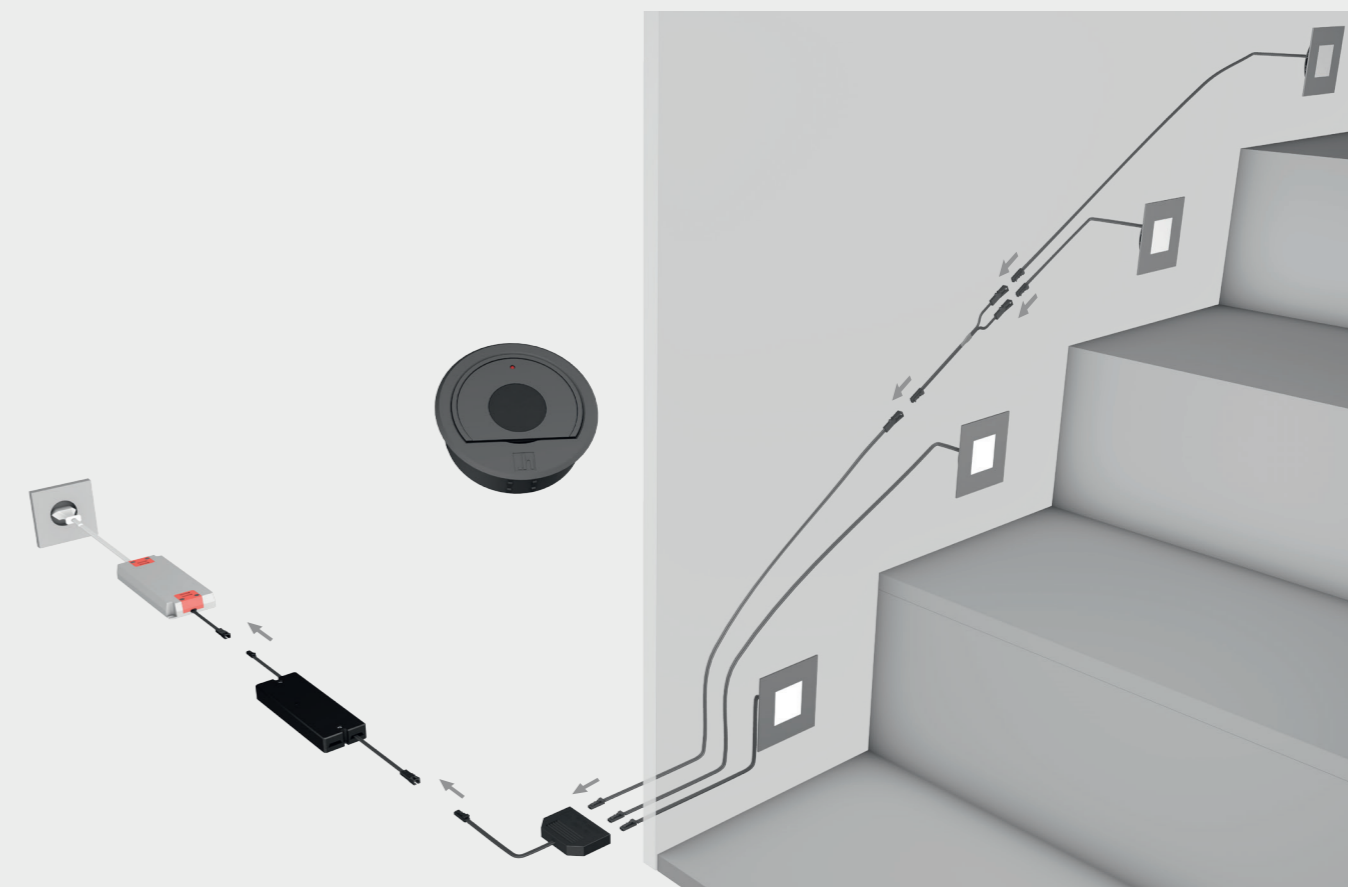
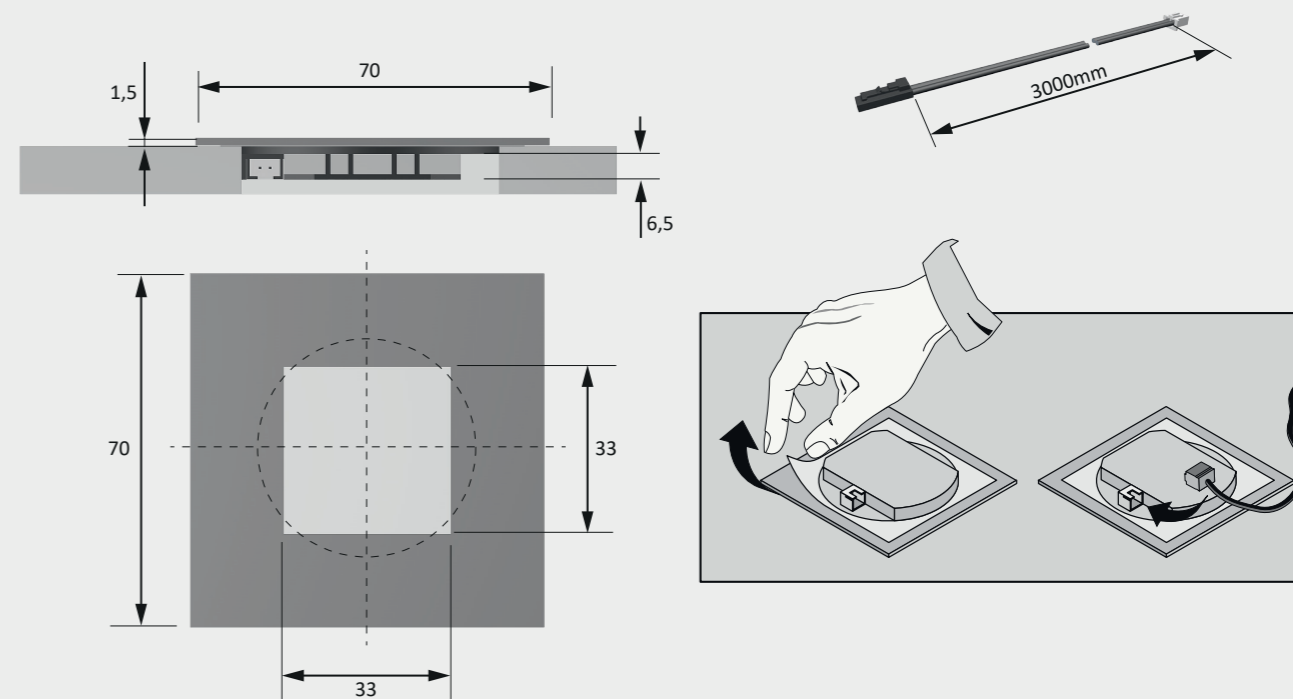
Luminaire type: LED recessed light
 Type of lighting: Accent/ orientation lighting
 Surface finish: Stainless steel look
 Operating voltage: 12 V DC
 Light colour: NeutralWhite
 Colour rendering: RA > 80
 Energy efficiency: No energy efficiency class as below 60lm/25 lm/W
 Life span: 30.000 h (L70)
 Power consumption: 0.6 W
 Dimmable: Yes/PWM/Smart.home
 Half value angle: 60°
 Test mark and symbols: CE, RoHS, Energy Star
 Protection rating: IP 20
 Supply lead: 1800 mm
 Plug connector: LED mini
 Connection to: M1 plug connector LED ballast



Zigbee controller for controlling lights

- Uses the Zigbee 3.0 protocol
- Supports Zigbee TouchLink
- Adding devices to the self-configuring Zigbee Touchlink network possible
- Compatible with Zigbee Gateway universal products
- Compatible with Zigbee universal remote controls

Dimensional drawing / installation





PanelLite square

Advantages

- ▶ Decorative light
- ▶ Indirect lighting

Features

- ▶ Surface-mounted

Examples of use

- ▶ Flights of stairs
- ▶ Kitchen plinths
- ▶ Furniture back panel

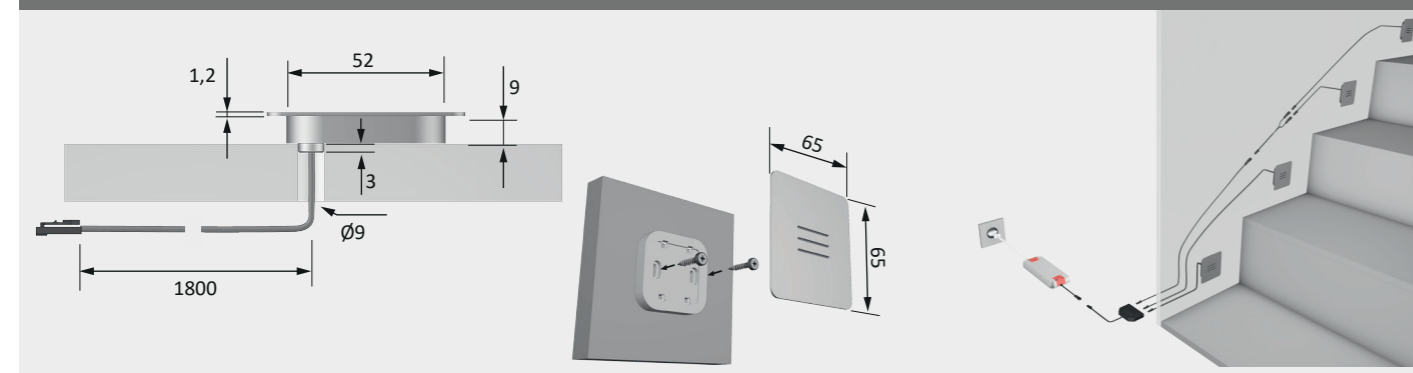
PanelLite square

	WarmWhite
Stainless steel look	34 172 16

Accessories*

LED ballast 20 W with flat Euro plug	31 016 01
M1 extension lead 1800 mm	36 768 01
M1 extension lead 5000 mm	36 743 03
M1 Staircase distributor 2-way 450 mm	39 903 02
M1 3-way distributor 180 mm	36 852 01
M1 6-way distributor 2000 mm	36 125 01

Dimensional drawing / installation



* Further accessoires in this catalogue from page 30

Technical details



12 V

Type of lighting:	Accent/ orientation lighting RA > 80
Colour rendering:	RA > 80
Energy efficiency:	This luminaire contains a light source with an energy efficiency class F 40 lm/W
Life span:	30.000 h (L70)
Power consumption:	1.9 W
Dimmable:	Yes/PWM/Smart.home
Test mark and symbols:	CE, RoHS, Energy Star, ENEC
Protection rating:	IP 20
Supply lead:	1800 mm
Plug connector:	M1 plug connector
Connection to:	LED ballast

Side Spot

Advantages

- ▶ Accentuation by light from below/side

Features

- ▶ Oblique light emission
- ▶ Glare free
- ▶ Recessed luminaire for 35 mm mounting diameter

Examples of use

- ▶ Stairs
- ▶ Shelves
- ▶ Display cabinets

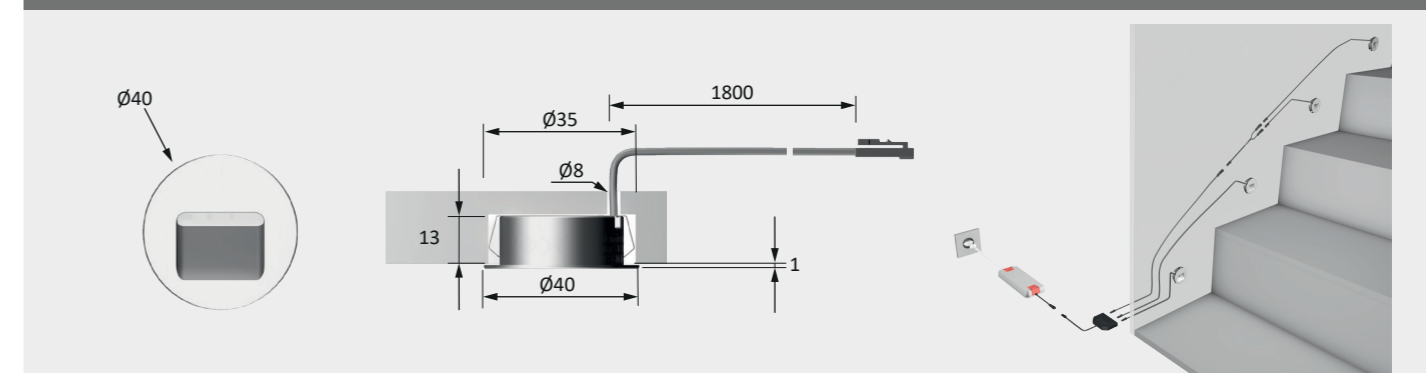
Side Spot

	XtraWarmWhite	CoolWhite
Black	32 171 45	32 171 25

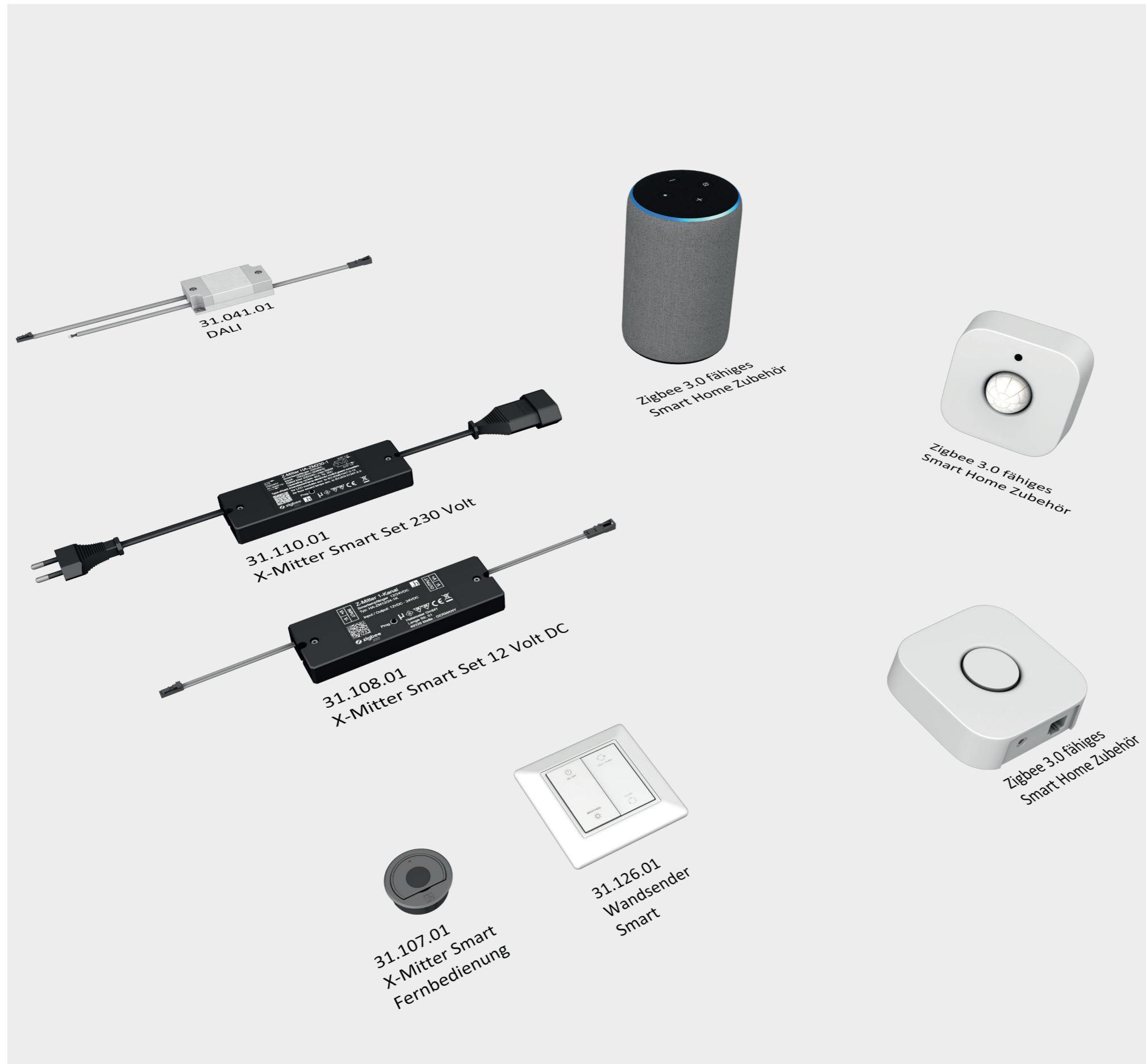
Accessories*

LED ballast 20 W with flat Euro plug	31 016 01
M1 extension lead 1800 mm	36 768 01
M1 extension lead 5000 mm	36 743 03
M1 Staircase distributor 2-way 450 mm	39 903 02
M1 3-way distributor 180 mm	36 852 01
M1 6-way distributor 2000 mm	36 125 01

Dimensional drawing / installation



* Further accessoires in this catalogue from page 30



Switch systems

The right system for any installation

Gentle dimming of luminaires, suitable lighting scenes or lights that respond to movement:

whether smart or conventional, our switch systems provide the right atmosphere at the right time.

However, our switch systems do not only work via Smart.home or remote control.

Of course, it also works with remote controls or in the classic way using a switch.

You can easily operate your stair lighting or integrate it into your smart home – without any particular technical skills.



X-Mitter

Advantages

- ▶ Can be integrated in a smart home
- ▶ Based on Zigbee 3.0

Features

- ▶ Remote control and smart receiver are programmed in the set
- ▶ The X-Mitter remote control can control up to 30 receivers

Examples of use

- ▶ Switching

Order information

- ▶ Set consists of X-Mitter Smart Remote Control and Smart Receiver
- ▶ 230 Volt AC receiver can only on/off switch, not dim

X-Mitter (1-Kanal Funkschalter und Dimmer)

X-Mitter Smart Set 12 Volt DC	31 108 01
X-Mitter Smart Set 230 Volt AC with Euro flat plug	31 110 01
X-Mitter Smart Remote Control with drilling ring	31 107 01

Accessories*

Smart Receiver 12 Volt DC	31 100 01
Smart Receiver 230 Volt AC with Euro flat plug	31 104 01
Extension set 12 Volt DC 30 W, receiver and electronic ballast	31 105 01
Extension set 12 Volt DC 60 W, receiver and electronic ballast	31 106 01

* Further accessories in this catalogue from page 35

Technical details



Transmitter surface: soft lacquer black
 Receiver housing: black
 Max. switching power: 12 Volt DC–36 W
 230 Volt AC–500 W
 Test mark and Symbols: CE, RoHS, WEEE
 Line lengths: see drawing
 Standby receiver HV: <0.5 W
 Standby receiver NV: <0.3 W
 Plug connector: LED connector M1/Euroflat

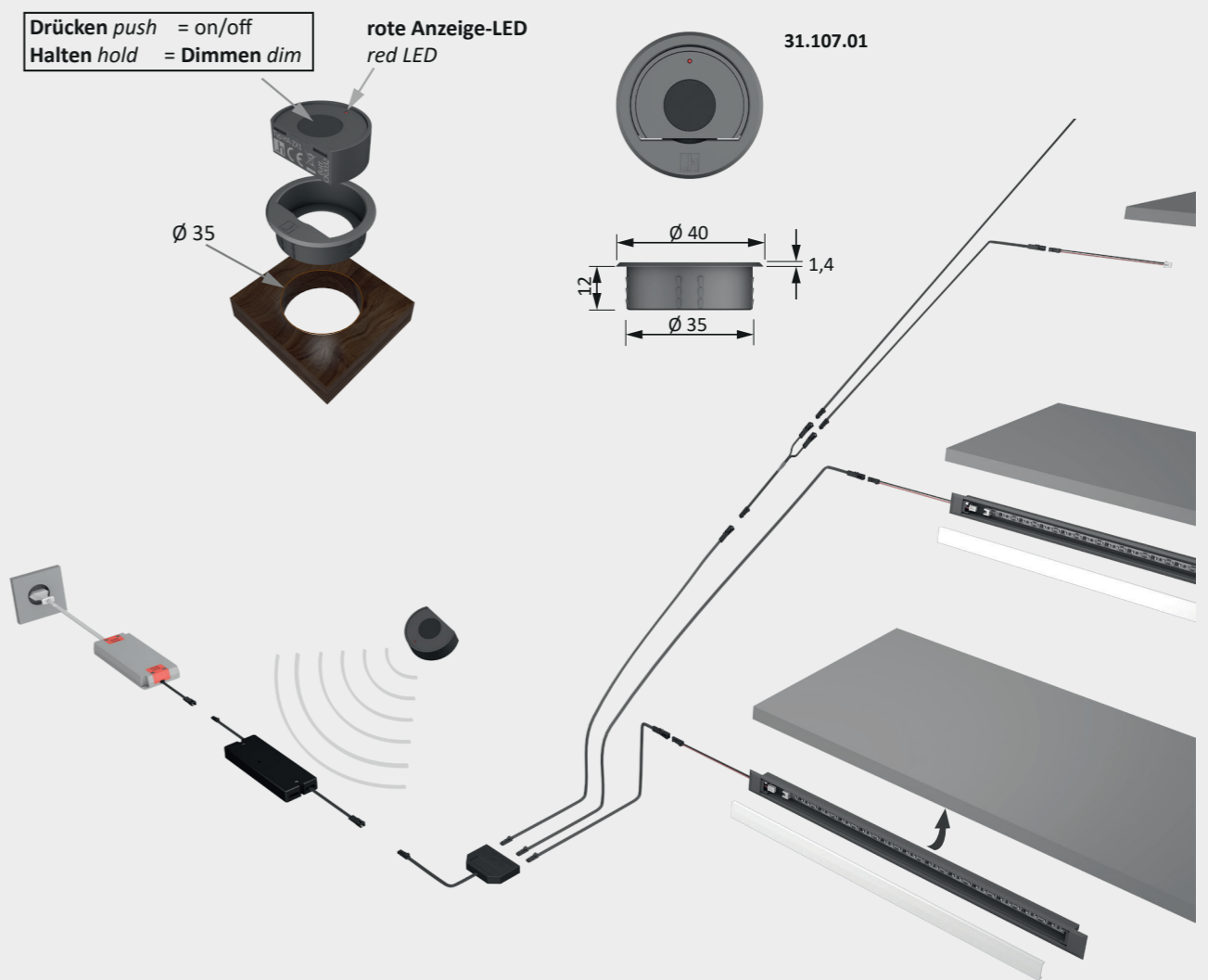
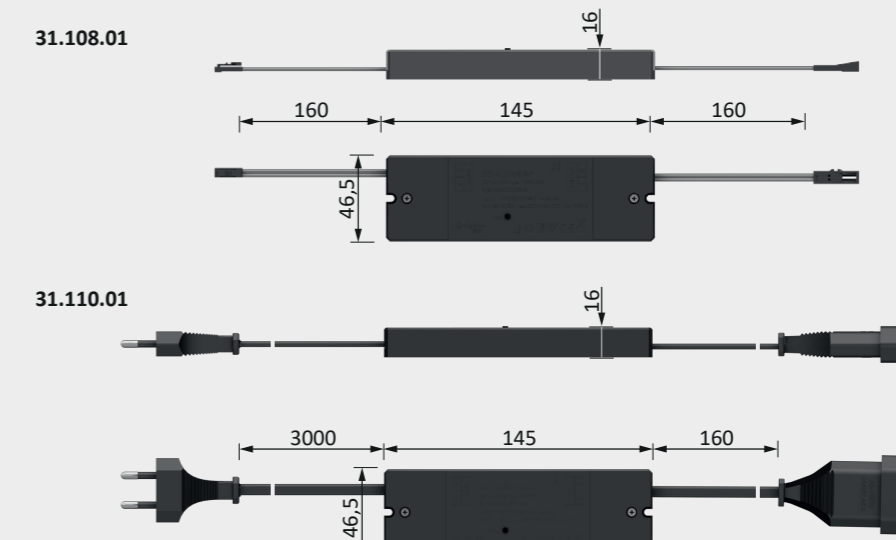


Zigbee controller for controlling lights

- Uses the Zigbee 3.0 protocol
- Supports Zigbee TouchLink
- Adding devices to the self-configuring Zigbee Touchlink network possible
- Compatible with Zigbee Gateway universal products
- Compatible with Zigbee universal remote controls

230 V 12 V

Dimensional drawing / installation





Wall switch Smart

Advantages

- ▶ Wireless switch and dimmer
- ▶ Can be integrated in a Zigbee smart home system
- ▶ Based on Zigbee 3.0

Features

- ▶ Fits in mounting frames of leading switch manufacturers
- ▶ Does not require drilling for cavity wall box
- ▶ Works with smart receivers or in the smart home network

Examples of use

- ▶ The wall transmitter can be paired with up to 30 receivers.
- ▶ Up to 30 transmitters and receivers can be connected to each other in the network; Changeovers are possible.

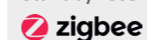
Order information

- ▶ The Smart.home overview shows how our switch systems can be combined with each other and with third-party suppliers

Technical details



Surface finish
 Wall transmitter: white, matt
 Receiver housing: black
 Test mark and symbols: CE, RoHS, WEEE
 Supply lead: 160 mm
 Switching lead: 160 mm
 Standby receiver: <0.3 W



ZigBee controller for the control of MultiWhite lights via 2-wire system

- Uses the Zigbee 3.0 protocol
- Supports Zigbee TouchLink
- Adding devices to the self-configuring Zigbee Touchlink network possible
- Compatible with Zigbee Gateway universal products
- Compatible with Zigbee universal remote controls

Wall transmitter (1-channel wireless switch and dimmer)

Wall transmitter Smart	31 126 01
------------------------	-----------

Accessories*

Smart Receiver MultiWhite 1-Channel	31 118 01
Smart Receiver 230 Volt AC with Euro flat plug	31 104 01
Extension set 12 Volt DC 1 channel receiver and 30W ballast	31 105 01
Extension set 12 Volt DC 1-channel receiver and 60W ballast	31 106 01

Dimming module 1-10 V / DALI

Advantages

- ▶ Dimmmodul
- ▶ Can be used with all PWM dimmable magic luminaires

Features

- ▶ For use with 1-10 Volt or DALI control systems
- ▶ Interface to bus/house installation

Examples of use

- ▶ furniture lighting
- ▶ stair lighting

Dimmer module

1-10 Volt - 12 Volt DC	30 580 02
DALI - 12 Volt DC	31 041 01

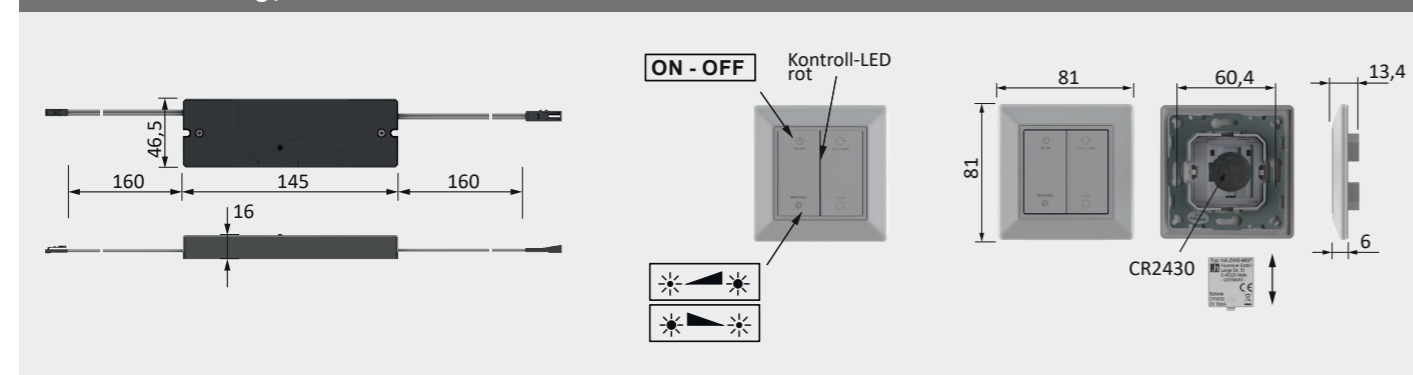
Technical details



12 V

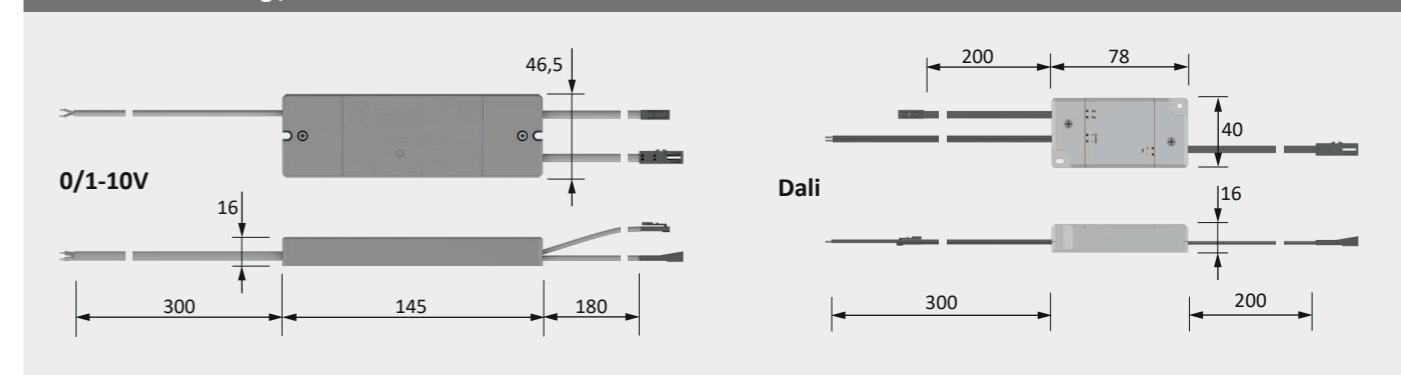
For use with: LED lights
 Max. switching power: 12 Volt DC-36 W
 Test mark and symbols: CE, RoHS, WEEE
 Supply lead: 180 mm
 Control lead: 180 mm
 Standby: <0.5 W
 Plug connector: LED mini M1 plug connector

Dimensional drawing / installation



* Further accessories in this catalogue from page 35

Dimensional drawing / installation





Ballast 12 Volt DC

Advantages

- ▶ Short-circuit-proof
- ▶ Overload-protected
- ▶ Temperature-protected

Features

- ▶ For staircase and furniture lights

Order information

- ▶ The ballast power must be equal to or higher than the total power of the connected consumers

Ballast 12 Volt DC / 200 - 240 Volt AC*

15 W (1-way + 6-way distributor)	30 996 17
30 W (1-way + 6-way distributor)	31 002 07
60 W (9-way, secured)	31 025 01

Accessories

UK-adapter plug for flat Europlug	36 210 01
-----------------------------------	-----------

Technical details



For use with: LED lights
 Surface finish: white
 Operating voltage: 100 V DC
 240 V AC
 Mains frequency: 50 Hz/60 Hz
 Output voltage: 12 V DC
 Test mark and symbols: CE, SELV, IP44, etc.
 Plug connector Primary: 2000 mm with flat Euro plug
 Plug connector LED mini M1 plug

Leads 12 Volt DC

Advantages

- ▶ LED plug-in system for 12 Volt DC light

Features

- ▶ Plug bore diameter 8 mm

Examples of use

- ▶ LED staircase and furniture lights

Order information

- ▶ Maximum connected load 3A/36 W
- ▶ Max. 5 m extension lead per light

Leads 12 Volt DC

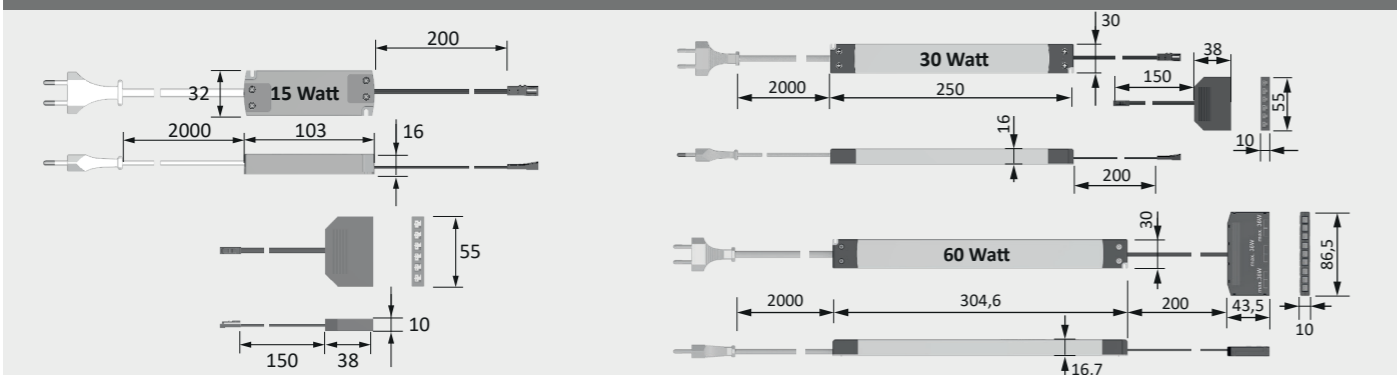
Extension lead 1800 mm	36 768 01
Extension lead 5000 mm	36 743 03
M1 Staircase distributor 2-way, 450 mm	39 903 02
M1 3-way distributor 180 mm	36 852 01
M1 6-way distributor 200 mm	36 122 07
M1 6-way distributor 2000 mm	36 125 01

Technical details



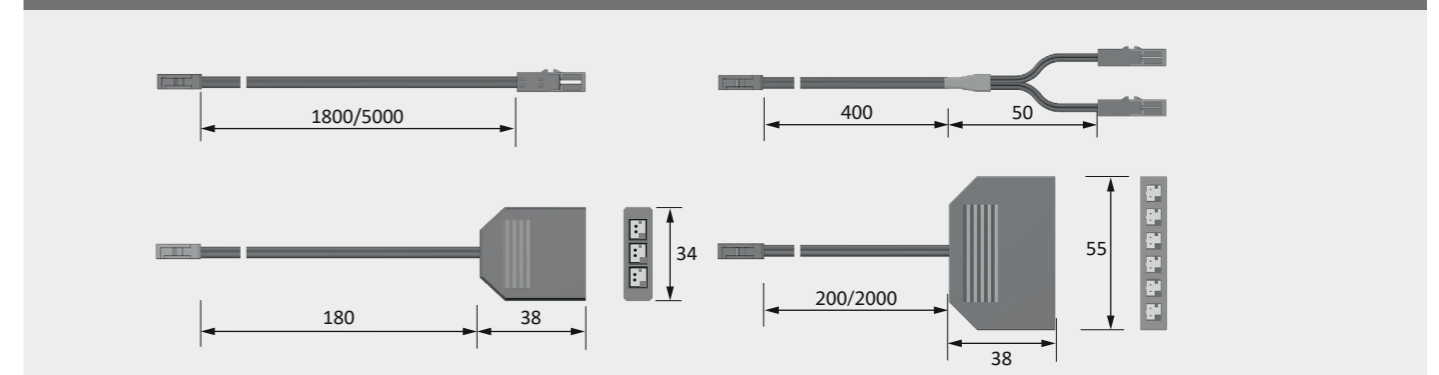
Type: Plug system
 Connection lead: max. 3 A (36 W)
 Surface finish: black
 Plug connector: LED mini M1 plug connector

Dimensional drawing / installation



* Only in combination with UK adapter.

Dimensional drawing / installation





Ecodesign Directive and the labelling of lighting sources and/or luminaires

With the publication of Delegated Regulation (EU) 2019/2015 of 11 March 2019, the competent Commission has replaced the former Regulation (EU) 874/2012. This means that the obligation to label luminaires has expired since 25.12.2019 and will be replaced by an obligation to label light sources, which will apply from 01.09.2021. If a light source is placed on the market as part of a containing product, the labelling obligation for the light source used also does not apply. Operating manuals or installation instructions need only state the energy efficiency class of the light source used.

With the appearance of this new regulation, the classification of the corresponding energy efficiency classes will also change. Example: A luminaire which in the past fell into energy efficiency class A as a luminaire according to (EU) 874/2012, only achieves energy efficiency class E according to the current regulation (EU) 2019/2015 with the illuminant which continues to be used unchanged. The luminaire is not less efficient, it is now only subject to a different calculation basis for determining the corresponding energy efficiency class of its illuminant. The effects on the efficiency of the end product luminaire, which are significantly influenced by design details such as housings, reflectors, lenses and covers, are not taken into account by the current regulation.

We take over product responsibility in accordance with the WEEE Directive

In addition to all deliveries within Germany, Halemeier takes over the product registration** as a free service for its customers in other EU countries*.

The registration is not to be carried out with an overall EU authority, but with the respective national authorities of the member states. Halemeier currently undertakes this registration for deliveries to customers*) in Belgium, Denmark, Estonia, Finland, France, Greece, Ireland, Italy, Latvia, Lithuania, the Netherlands, Austria, Poland, Portugal, Romania, Sweden, Spain, the Czech Republic and Hungary.

**) Halemeier product registration is only sufficient for luminaires and devices which are marked with the Halemeier brand and which can be dismantled after installation by the installer using standard household tools. If they are not, the processor/furniture manufacturer must register his furniture independently. In case of export by the customer, an independent declaration by the distributor in the country of destination is mandatory.

Technical data of the catalogue
Halemeier only gives the values in his catalogue data that were determined for the complete product in our own laboratory and on the basis of algorithms.

3 years warranty

for all **magic** by Halemeier catalogue items*

5 years warranty for

selected Magic by Halemeier LED luminaires**

Warranty conditions

Valid for Halemeier LED luminaires, LED ballasts and system accessories which are exclusively operated in the system with Halemeier products with purchase date from 01.05.2021.* The guarantee is valid on the territory of the European Union and Switzerland.

If a Halemeier LED luminaire or Halemeier electronic ballast or system accessory fail within the warranty period due to a product defect, the purchaser will receive a replacement or repair of the luminaire/system accessory free of charge. If the product is no longer available, Halemeier reserves the right to refund the pro rata purchase price. A decrease in luminous flux due to use is normal for LED products (up to 30% within the specified service life), does not constitute a defect and is therefore not covered by the warranty.

The warranty granted is valid on condition that the products are used in accordance with their product specifications and are installed and commissioned professionally, in accordance with the installation instructions enclosed with the product. The warranty expires if modifications or repairs have been carried out by third parties. The product must not be subjected to any mechanical loads that are not in accordance with its intended use.

Furthermore, the ambient temperature must not fall below -20°C and must not exceed 30°C. The relative humidity must not exceed 80% (does not apply in the protection classes provided for this purpose) and the products must not be subject to voltage fluctuations of more than 10%.

Due to technical progress and changes in luminous flux caused by use, subsequent deliveries of LED luminaires may show deviations in the light characteristics compared to the original products.

The warranty is excluded if the products have been modified or repaired or if the goods have been installed improperly or by unqualified personnel. The guarantee does not apply to incidental costs incurred in connection with the rectification of defects (such as for installation and removal, transport of the defective and the repaired or new product, disposal, travel and travel time); these costs will be borne by the buyer.

Halemeier accepts no liability beyond this manufacturer's warranty.

Warranty claims must be made immediately after becoming aware of the defect within the warranty period. The warranty services do not have the effect of extending the warranty period, nor do they initiate a new warranty. However, the warranty claims of the purchaser shall continue to exist unchanged in addition to this manufacturer's warranty. The warranty period starts from the day of delivery ex works Halemeier.

* Excluded from the 3 or 5 year warranty are only: Batteries and rechargeable batteries

** Excluded from the 5 year warranties are only: LuckyLite Pro, LitePipe, InnoLine, LuckyLine and SwanLite. We refer to our General Terms and Conditions under

www.halemeier.de

Philips Licensing Program

Wide assortment of innovative technologies

Halemeier is a licensee of the Philips LED licensing program for luminaires and thus enjoys many advantages and opportunities: Only licensees get access to a wide range of over 200 Philips lighting innovations – from basic LED controls to system-level technologies that can be used in LED-based luminaires and retrofit luminaires. This will help to accelerate product development, increase cost efficiency and exploit new opportunities in the expanding market



Halemeier is a member of the Zigbee Alliance.



Halemeier GmbH
Lange Straße 51
49326 Melle-Neuenkirchen

T +49 5428 50380-0
F +49 5428 50380-16

info@halemeier.de
www.halemeier.de



HALEMEIER